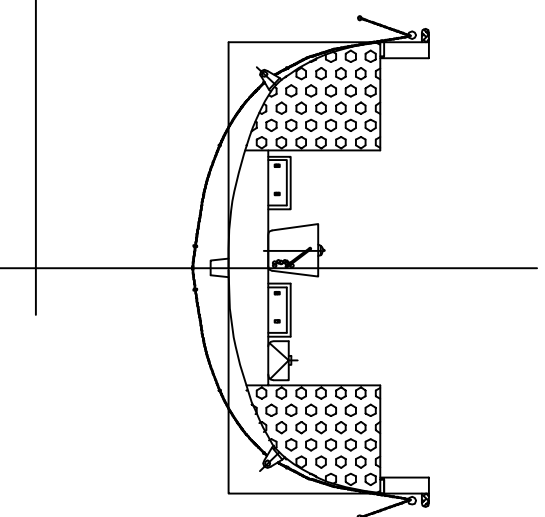
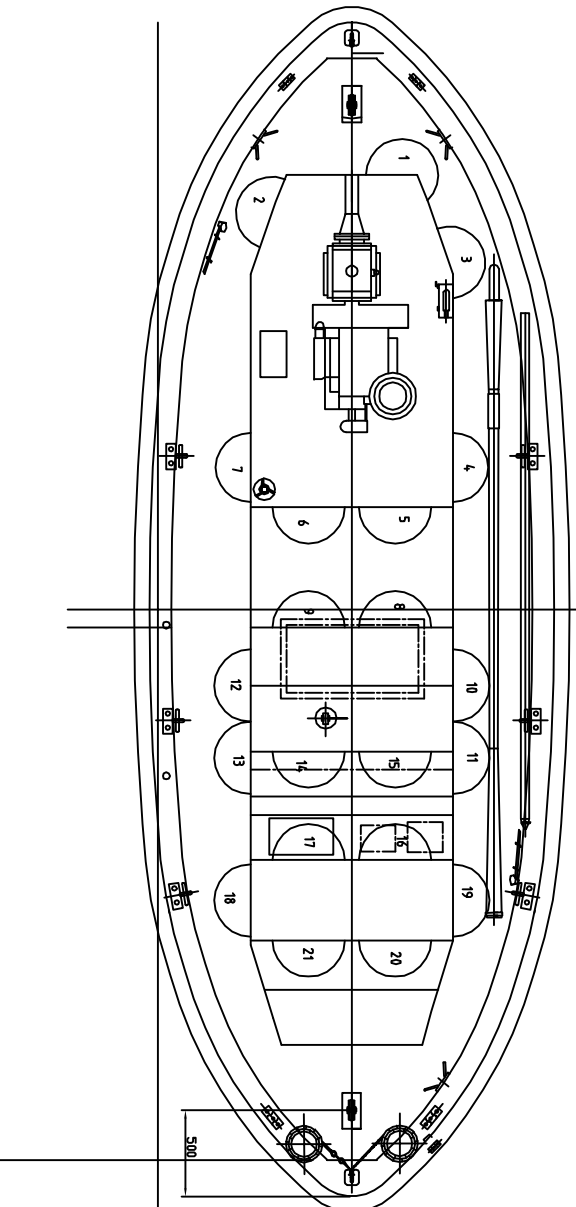
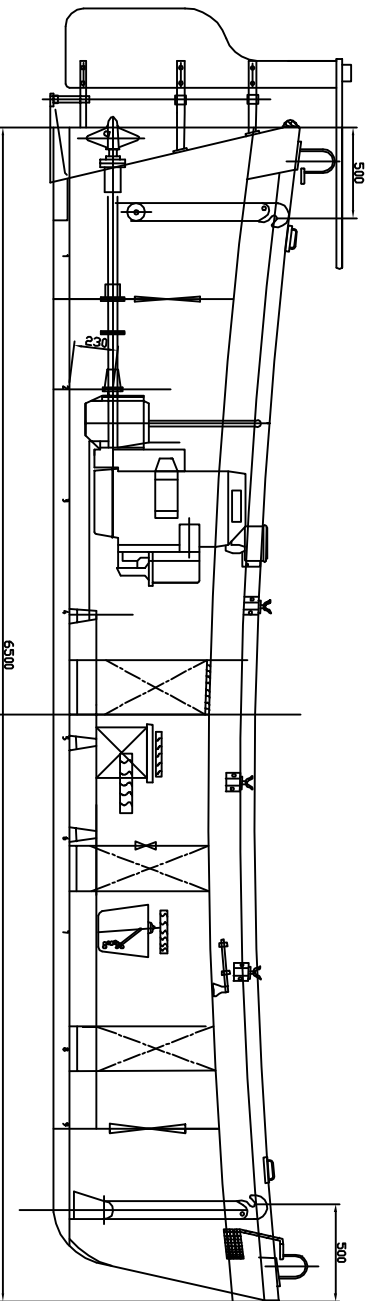


CONSTRUCTION PLAN



型号MODEL: B16.50
 艇长LENGTH: 6.5M
 型宽BREADTH: 2.15M
 型深DEPTH: 0.90M
 乘员PERSON: 21P