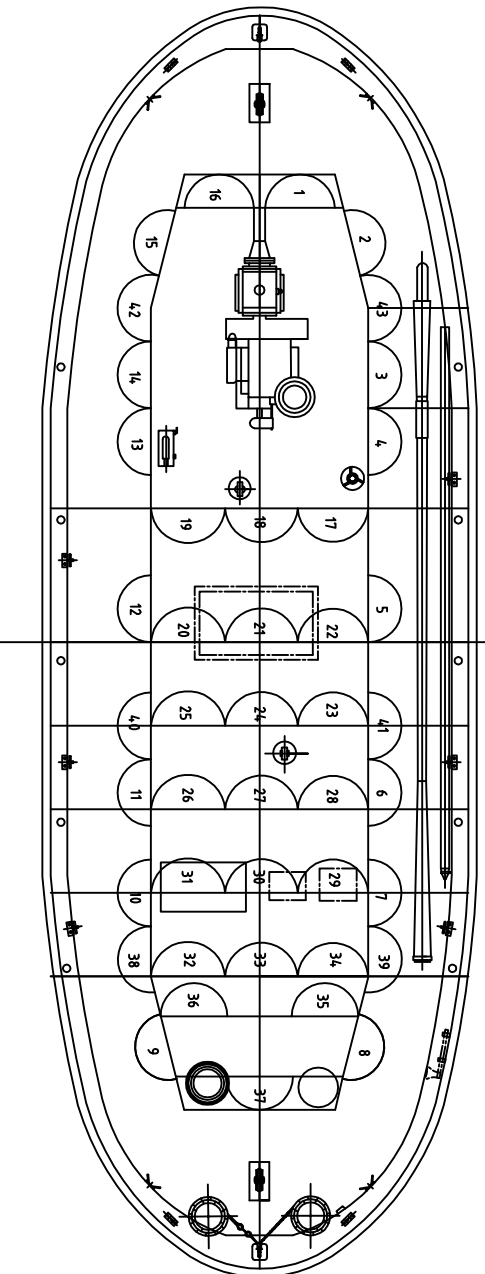
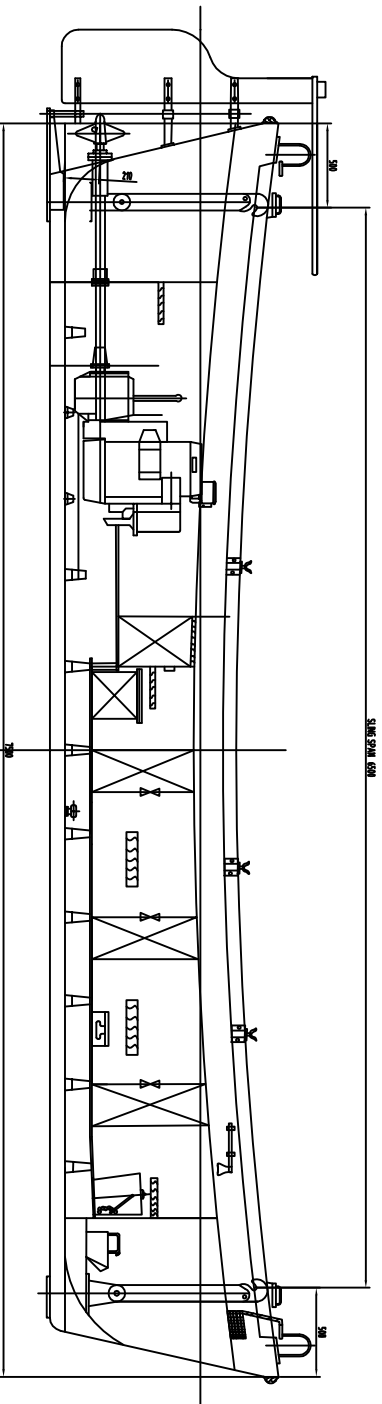


CONSTRUCTION PLAN



型号MODEL: B.J7.50
 艇长LENGTH: 7.5M
 型宽BEADTH: 2.5M
 型深DEPTH: 1.05M
 乘员PERSON: 4.3P
 钩距HOOK CENTER: 6.5m

