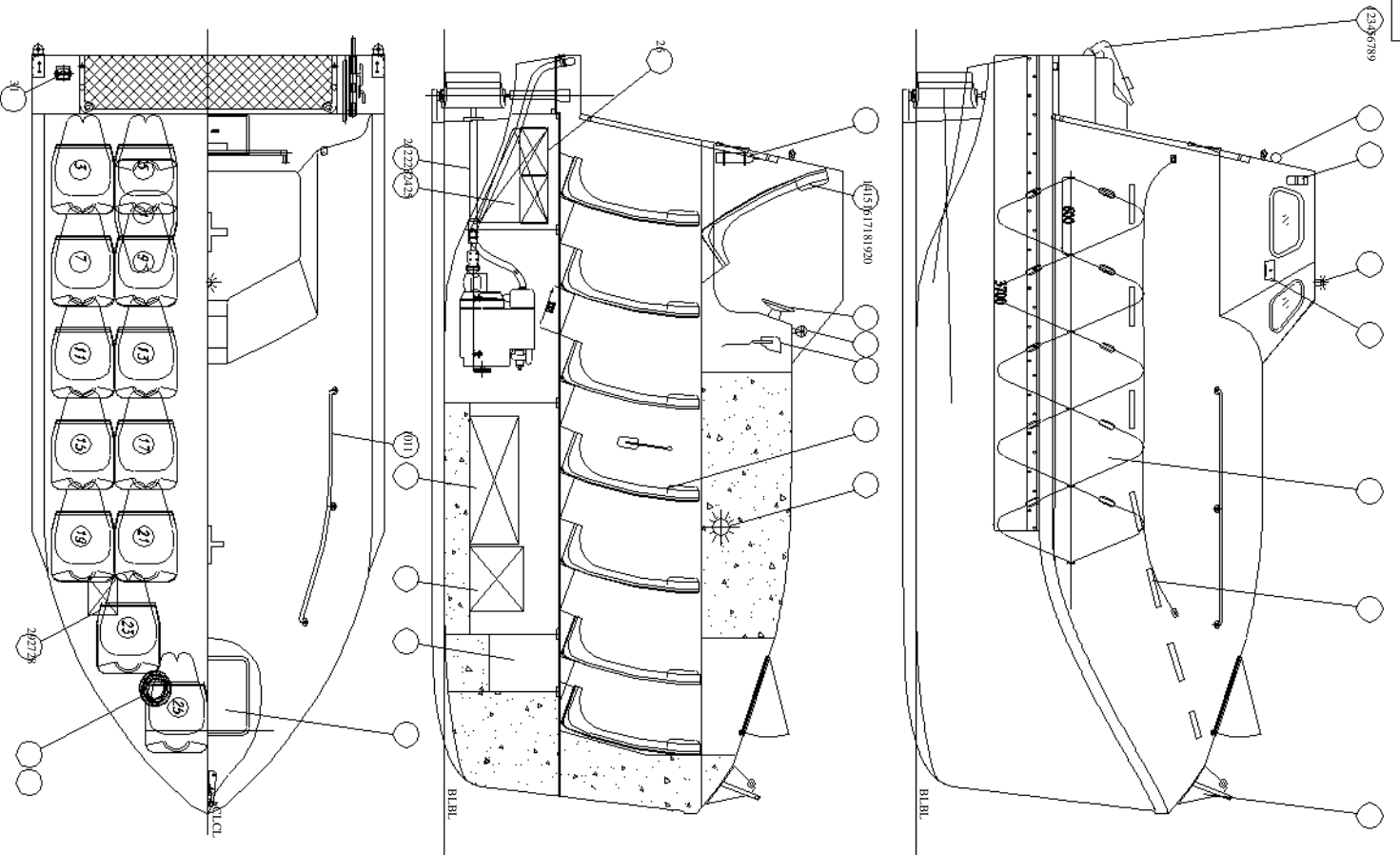
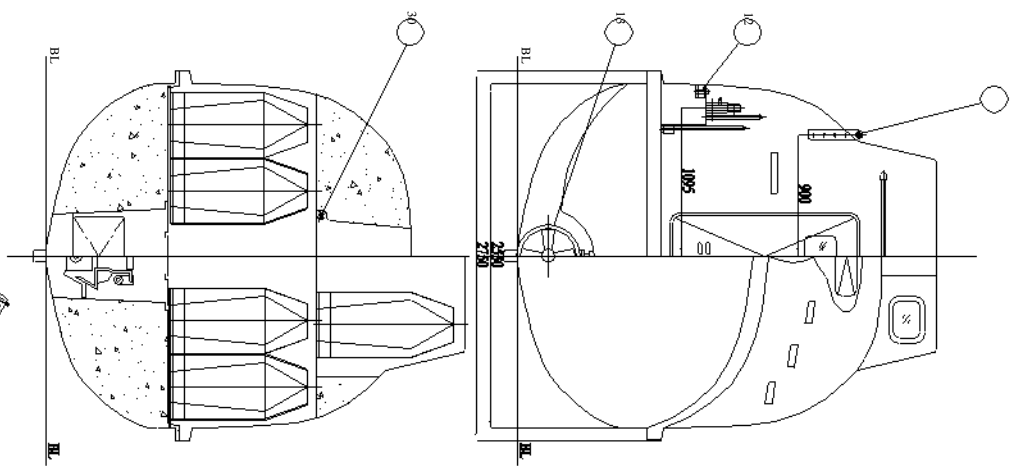


A B C D



- NOTES**
1. GEP HULL CONSTRUCTIONS
  2. PRACTICAL DIMENSIONS :  
LENGTH 5900X730X1000 (MM)
  3. CAPTIVED HEIGHT: 1.60 m
  4. ANGLE OF THE LANDING PALE: 30°
  5. OCCUPANT: 25
  6. THE RELEASE HOOK COULD BE FIXED ON PORT OR STARBOARD ACCORDING TO THE REQUIREMENTS OF SHIP OWNER.
  7. THIS DISKON MEETS ISA CODE

16000  
CERTIFIED HEIGHT



No.	Code No.	Description	Qty	Material	Name
31	NM09-108-13	ROLLARD 繩索	1	STS	
30	NM09-946-19	INNER HAND RAIL 內扶手	1	SUS	
29	95-A	TABLE ADD KIT 桌板附件	1	PRODUCT	
28	84-7500	BOCKET 水桶	2	PRODUCT	
27	020mm-57M	PAINTNER 漆料	2	P.P.	
26	6A	LATINKEY 漆料	2	PRODUCT	
25	NM09-235-14	PROVISION TANK 食品罐	1	GRP	
24	NM09-235-13	FRESH WATER TANK 淡水罐	1	GRP	
23	NM09-236-08	FRESH OIL TANK 新鮮油罐	1	STS	
22	NM09-235-11	STOWAGE CABIN 儲物櫃	1	ASSEMBLY	
21	NM09-486-02	EXHAUST BELTING 排氣帶	1	ASSEMBLY	
20	M022 DRY POWDER 乾粉	FRAGMENTS DISCHER 破片散佈器	1	PRODUCT	
19	COM12	CENTRAL LIGHT UV 中央燈 (UV)	2	PRODUCT	
18	NM09-108-09	SEARCH LIGHT 探照燈	24	GRP	
17	3012-004	SEARCH LIGHT 探照燈	1	PRODUCT	
16	B-91	COMPASS 羅盤	1	PRODUCT	
15	BE-110	STEERING GEAR 操舵機	1	ASSEMBLY	
14	NM09-209-08	HILSHAMANN'S BEAT 希沙曼打拍	1	GRP	
13	NM09-204-01	RUBBER NOZZLE 橡皮噴嘴	1	GRP	
12	NM09-412-04	EYE PLATE 眼板	2	ASSEMBLY	
11	NM09-108-27-02	HATCH COVER 艙口蓋	1	GRP	
10	NM09-245-13	HAND RAIL 扶手	2	SUS	
9	519BE	PROVIDER RESERVATIVE TANK 儲備補給罐	22	PLASTIC	
8	NM09-412-04	AVT LIFTING MOUNT 吊架	2	GALV STEEL	
7	NM09-412-01	ROSE LIFTING MOUNT 吊架	1	GALV STEEL	
6	NM09-108-20	LIFELINE 救生繩	2	ASSEMBLY	
5	NM09-245-13	LIFTING DEVICE BOX 吊架	2	SUS	
4	127-14	PORTONING LIGHT 吊索燈	1	PRODUCT	
3	NM09-245-12	PROJECT OF TRANSFEROR 吊架對吊器	1	SUS	
2	NM09-108-20	BATTERY CHARGE RIG 充電插座	1	ELASTIC	
1	NM09-211-04-01	RELEASE HOOK 釋放物	1	SUS	

總布置圖 (普通型)  
GENERAL ARRANGEMENT  
(CARGO)

中國船舶重工集團有限公司  
NINGBO NEW MARINE EQUIPMENT REQUIREMENT CO., LTD  
地址: 391001 浙江寧波

NO.	DATE	REVISION	BY	CHK.	APP.

NO.	DATE	REVISION	BY	CHK.	APP.

NO.	DATE	REVISION	BY	CHK.	APP.

NO.	DATE	REVISION	BY	CHK.	APP.

NO.	DATE	REVISION	BY	CHK.	APP.

NO.	DATE	REVISION	BY	CHK.	APP.

NO.	DATE	REVISION	BY	CHK.	APP.

NO.	DATE	REVISION	BY	CHK.	APP.

NO.	DATE	REVISION	BY	CHK.	APP.