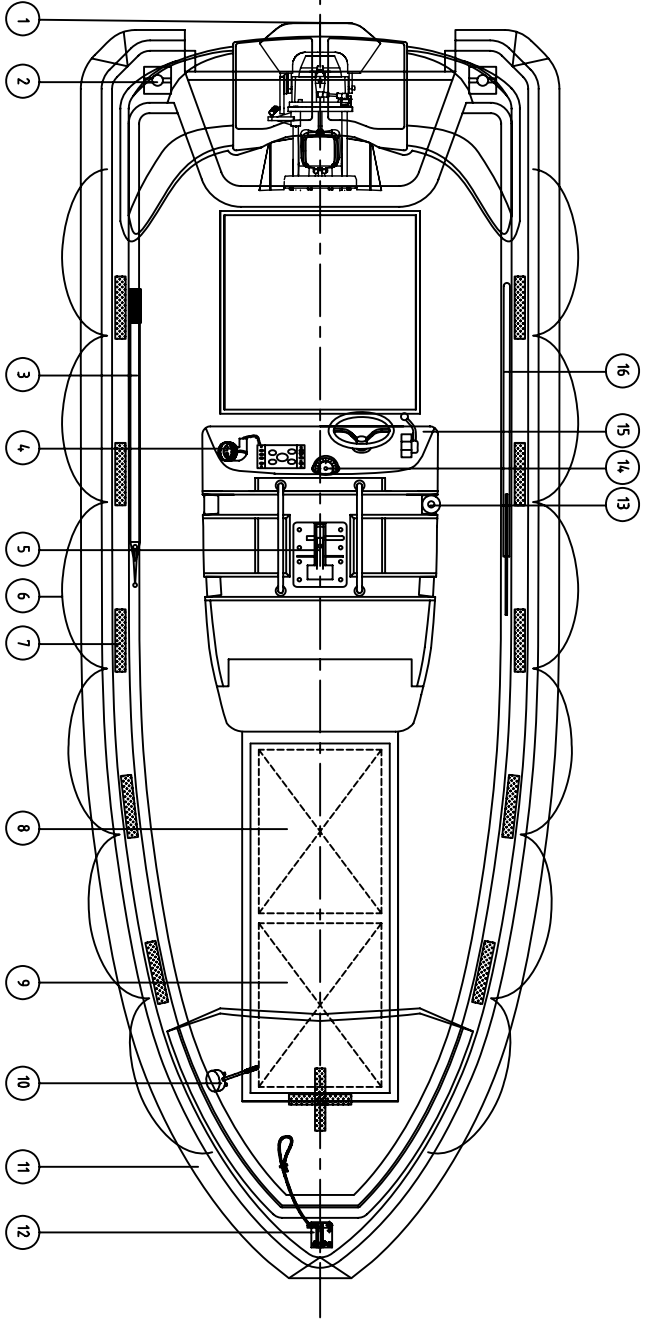


PROFILE



PLAN

技术参数 TECHNICAL DATA

总长	LENGTH OVERALL	6.00M
总宽	BEAM	2.30M
型深	DEPTH OF HULL, MIDSHIPS	0.87M
空船重 (轻载)	WEIGHT (INCL. FUEL)	1.550KG
主机	FUEL CAPACITY	240L
	ENGINE	BUKH S9501

20	RADAR REFLECTOR 雷达反射器	1	
19	SELF-RIGHTING 自扶正装置	1	
18	NAVIGATION LIGHT 示位灯	1	
17	WATER JET 喷水推进装置	1	
16	PAIDLE 可浮桨	2	
15	CONTROL CONSOLE 控制面板	1	
14	COMPASS 罗经	1	
13	FIRE EXTINGUISHER 灭火器	1	
12	PAINTER RELEASE 首缆装置	1	
11	PENDER 护舷材	1	
10	BILGE PUMP 手摇泵	1	
9	EQUIPMENT BOX 工具箱	1	
8	FUEL OIL TANK 燃油箱	1	
7	REFLEX 反光带	24	
6	LIFE LINE 救生浮索	2	
5	HOOK 吊钩	1	
4	SEARCH LIGHT 探照灯	1	
3	BOAT HOOK 艇钩	1	
2	BOLLARD 带缆柱	2	
1	WATER JET GUARD 喷水推进保护罩	1	
NO.	DESCRIPTION	QTY.	REMARK

DESCRIPTION		DRAWING		DATE	
Inshore Fast Rescue Boat		Inshore			
Inshore 近岸救援艇					
DATE	NOV/2012				
DRAWN BY	LV.H.Y.				
CHECKED BY	JIANGLI.E.				
APPROVED	XULI.X.				
SCALE	1:25				
REV. NO.	REV.00				
TOTAL PAGES		PAGE		DRAWING SIZE	
1		1		A3	

Ningbo New Marine Lifesaving Equipment Co., Ltd.
宁波新洲救生设备有限公司

GENERAL ARRANGEMENT
FOR WATER-JET
喷水推进装置