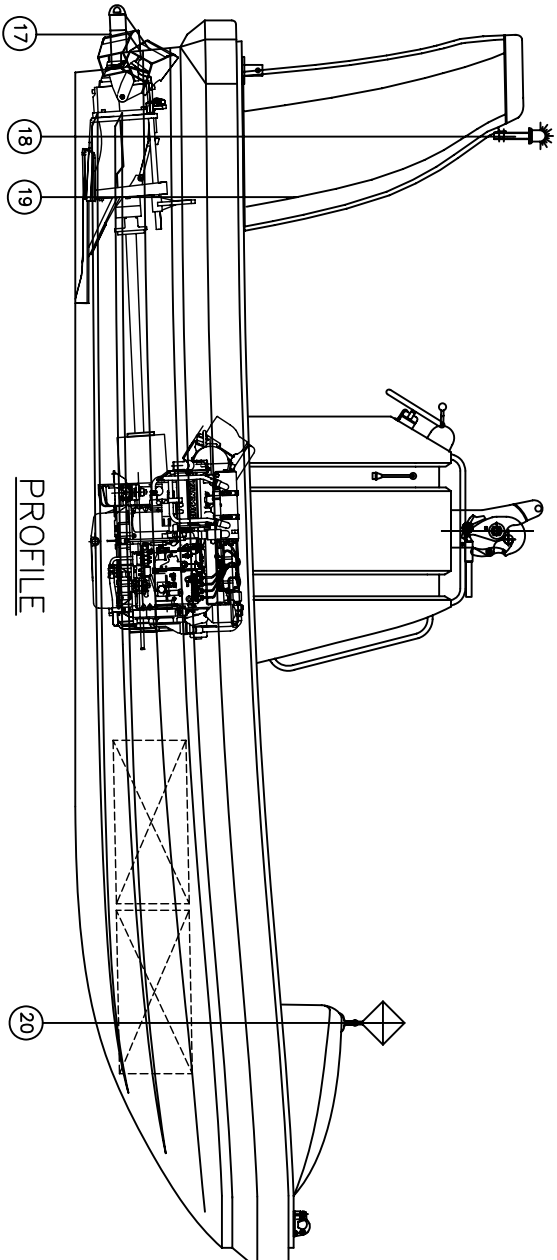


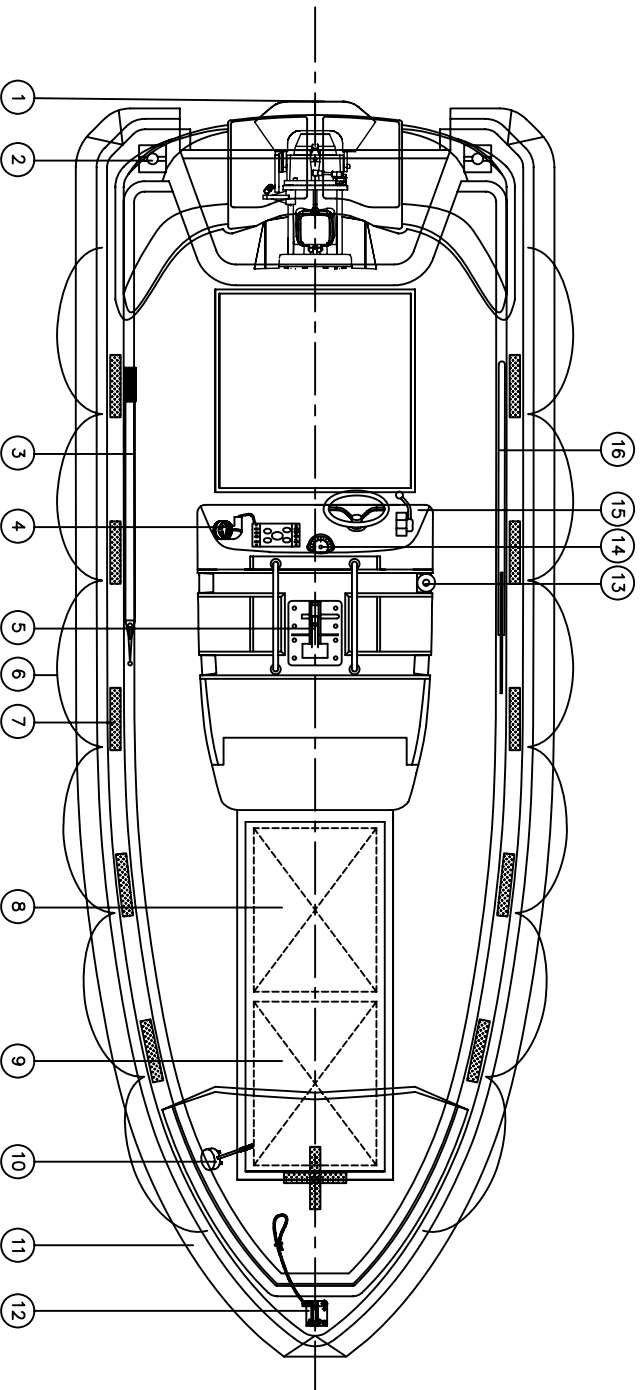
技术参数 TECHNICAL DATA

总长 LENGTH OVERALL 6.00M
 总宽 BEAM 2.30M
 型深 DEPTH OF HULL MIDSHIPS 0.87M
 空艇重 (包括燃油) WEIGHT (INCL. FUEL) 1486KG

油箱容量 FUEL CAPACITY 150L
 3人载重的速度 (约) SPEED WITH 3 PERSONS ≥25Knots
 主机 ENGINE SY144C



PROFILE



PLAN

20	RADAR REFLECTOR 雷达反射器	1	
19	SELF-RIGHTING 自扶正装置	1	
18	NAVIGATION LIGHT 示位灯	1	
17	WATER JET 喷水推进装置	1	
16	PAIDLE 可浮桨	2	
15	CONTROL CONSOLE 控制面板	1	
14	COMPASS 罗经	1	
13	FIRE EXTINGUISHER 灭火器	1	
12	PAINTER RELEASE 首缆装置	1	
11	FENDER 护舷材	1	
10	BILGE PUMP 手摇泵	1	
9	EQUIPMENT BOX 工具箱	1	
8	FUEL OIL TANK 燃油箱	1	
7	REFLEX 反光带	24	
6	LIFE LINE 救生浮索	2	
5	HOOK 吊钩	1	
4	SEARCH LIGHT 探照灯	1	
3	BOAT HOOK 艇篙	1	
2	BOLLARD 带缆桩	2	
1	WATER JET GUARD 喷水推进保护罩	1	
NO.	DESCRIPTION	QTY.	REMARK

NO.	DESCRIPTION	DRAWN	CHECKED	DATE
Ningbo New Marine Lifesaving Equipment Co., Ltd.				
宁波新海业救生设备有限公司				
TYPE NM60R FAST RESCUE BOAT		DWG NO. NM60R-15		
NM60R 快速救助艇				
DATE	NOV/12/2012	TITLE		
DRAWN BY	LH.V.Y.	GENERAL ARRANGEMENT		
CHECKED BY	JIANGLF.	FOR WATER-JET		
APPROVED	MULX.	总布置图		
SCALE	1:25	喷水推进装置		
REV. NO.	REV/00	PAGE:		

TOTAL PAGES: DRAWING SIZE: